

# MIKU

MODEL:Mi6  
PC GAMING CASE



## FEATURES:

- 1.FRONT PANEL WITH ARGB DANCING BAR
- 2.SUPPORT 360 LIQUID COOLING



REVISED HISTORY  
Version 1.3

Edited by EVE  
2023.08

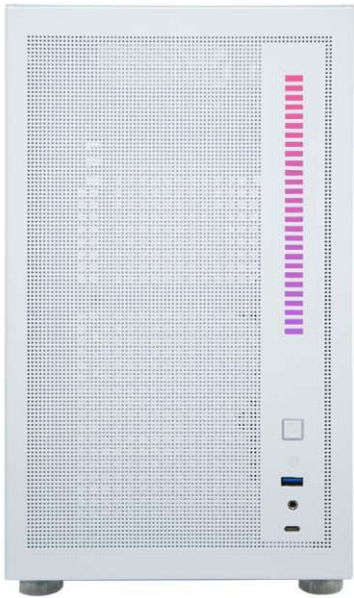
# SPECIFICATIONS

MODEL	Mi6
DIMENSIONS(L*W*H)	STRUCTURE:425*205*352MM PRODUCT: 440*205*352MM PACKAGE: 410*270*510MM
STRUCTURE THICKNESS	0.7MM
MATERIALS	SPCC 0.7MM LEFT SIDE PANEL: TEMPERED GLASS FRONT PANEL: METAL MESH
FORM FACTOR	M-ATX/ITX
DRIVE BAYS	5.25" CD ROM: 0 3.5" HDD: 1+2.5" SSD: 1 3.5" HDD: 0+2.5" SSD: 2
CPU MAX H	165MM
VGA MAX L	410MM(POWER SUPPLY SFX) 340MM(POWER SUPPLY ATX 180MM LENGTH) 320MM(POWER SUPPLY ATX 104MM LENGTH)
I/O PANEL	USB3.0*1+TYPE-C*1+HD AUDIO
PCI CARD SLOT	4
FAN SUPPORT	TOP: 3*12CM/2*14CM REAR: 1*12CM BOTTOM: 2*12CM
LIQUID COOLING SUPPORT	TOP: 24CM/28CM/36CM
POWER SUPPLY SUPPORT	FRONT MOUNT
WEIGHT	N.W.: 5.4KG G.W.: 6KG



**PC GAMING CASE**  
**Mi6**

# PICTURES



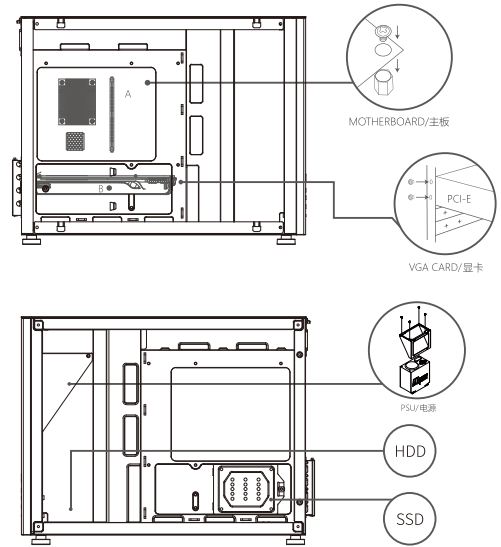
PC GAMING CASE  
Mi6

# USER MANUAL



**1STPLAYER GAMING CASE**  
首席玩家游戏机箱  
USER MANUAL 说明书

## • ASSEMBLY VIEW 装配视图



## 音乐律动模式说明

NO. 序号	MODE 模式	DIRECTION 方向	EACH MODE CONTAINS 9 DIFFERENT COLOUR 每个模式都有9种颜色选择
1	BOTTOM-UP BAR, NO WHITE DOTS 正向柱状, 无白点	----->>>	1.FULL COLOUR 全彩色
2	BOTTOM-UP BAR, 2 WHITE DOTS 正向柱状, 2个白点	----->>>	2.COLOUR FADING 渐变
3	SIDE TO MIDDLE BAR, NO WHITE DOTS 双向柱状, 无白点	<<<-----	3.RED 单色红
4	SIDE TO MIDDLE BAR, 1 WHITE DOT 双向柱状, 1个白点	<<<-----	4.GREEN 单色绿
5	SIDE TO MIDDLE BAR, NO WHITE DOTS BUT WITH BASE COLOUR 双向柱状, 不带白点带底色	<<<-----	5.BLUE 单色蓝
6	BOTTOM-UP BAR, 1 WHITE DOTS 正向柱状, 1个白点	----->>>	6.YELLOW 单色黄
7	SYNCHRONIZED TWO BAR WITH SAME DIRECTION 单向两段同步	<<<----- ----->>>	7.PURPLE 单色紫
8	TWO BAR OPPOSITE 单向两段同步	----->>>-----<<<	8.CYAN 单色青
			9.WHITE 单色白

## • DANCING BAR MODE AND ARGB MODE: 律动模式与ARGB模式切换:

DANCING BAR MODE/律动模式:  
PRESS TO CHANGE TO THE DANCING BAR MODE.  
短按 ●, 切换律动灯光形态

ARGB MODE/ARGB模式:  
MOTHERBOARD SYNCHRONIZATION  
跟随主板灯光

TURN OFF/关灯操作:  
LONG PRESS THE BUTTON FOR 4 SECONDS, WHEN THE WHITE LIGHT  
FLASHES 2 TIMES, IT WILL BE TURNED OFF.  
长按 ● 4秒, 白光重复闪烁2下, 关机

TURN ON/开灯操作:  
LONG PRESS THE BUTTON FOR 4 SECONDS,  
WHEN THE WHITE LIGHT FLASHES 2 TIMES IT WILL, TURN ON  
长按 ● 4秒, 白光闪烁2次, 开灯



**PC GAMING CASE**  
**Mi6**

# USER MANUAL

## A. MOTHERBOARD/主板

1. THE HOLES OF MOTHERBOARD SCREW ALIGN WITH THE HEXAGON PILLARS  
主板螺丝孔位对准六角铜柱
2. FIX THE MOTHERBOARD AND CASE WITH MOTHERBOARD SCREW  
使用主板螺丝把主板与机箱固定
3. CPU MAX L: 165MM  
机箱支持165MM高CPU散热器

MOTHERBOARD SPECIFICATIONS/主板规格



## B. VGA CARD/显卡

1. INSERT THE VGA CARD TO THE PCI-E X4 CARD SLOT OF MOTHERBOARD  
显卡插入主板PCI-E X4卡槽
2. FIX THE VGA CARD WITH HEXAGONAL SCREWS  
六角螺丝固定显卡
3. RESERVING THE VGA CARD SLOTS FOR THE CASE, WHICH CAN ADJUST IT SELF  
ACCORDING TO THE OUTPUT PORT OF VGA CARDS  
机箱预留显卡卡槽,可根据显卡输出口自行调节
4. VGA MAX L: 410MM  
机箱支持410MM长

## C. POWER SUPPLY/电源

1. PSU FRONT MOUNT  
前置电源仓
2. THE HOLES OF PSU ALIGN WITH THE RESERVED HOLE FOR CASE  
电源孔位对准机箱预留的电源孔位
3. FIX WITH THE HEXAGONAL SCREWS  
用六角螺丝固定

## D. HDD

1. SUPPORT 3.5"HDD\*1 支持3.5"HDD\*1
2. THE SCREW HOLES OF HDD ALIGN WITH THE HDD HOLES, LOCKED THE HDD SCREW  
HDD 螺丝孔位对准HDD孔位,锁上HDD螺丝

## E. SSD

1. SUPPORT 2.5"SSD\*1 支持2.5"SSD\*1
2. THE HOLES OF SSD ALIGN WITH THE RESERVED HOLE FOR CASE  
SSD 螺丝孔位对准SSD孔位,锁上SSD螺丝
3. FIX SSD WITH THE MOTHERBOARD SCREWS  
用主板螺钉固定SSD

## F. LIQUID COOLER/冷排

1. TOP: 24CM 28CM 36CM 支持顶部 24CM 28CM 36CM 冷排

### FAN/风扇

1. TOP: 3\*12CM/2\*14CM 支持顶部 3\*12CM/2\*14CM 机箱风扇
2. REAR: 1\*12CM 支持后置 1\*12CM 机箱风扇
3. BOTTOM: 2\*12CM 支持底部 2\*12CM 机箱风扇



PC GAMING CASE  
Mi6